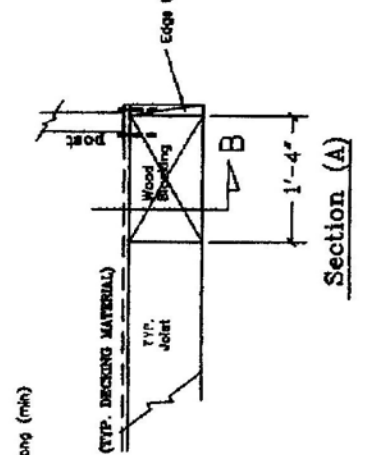
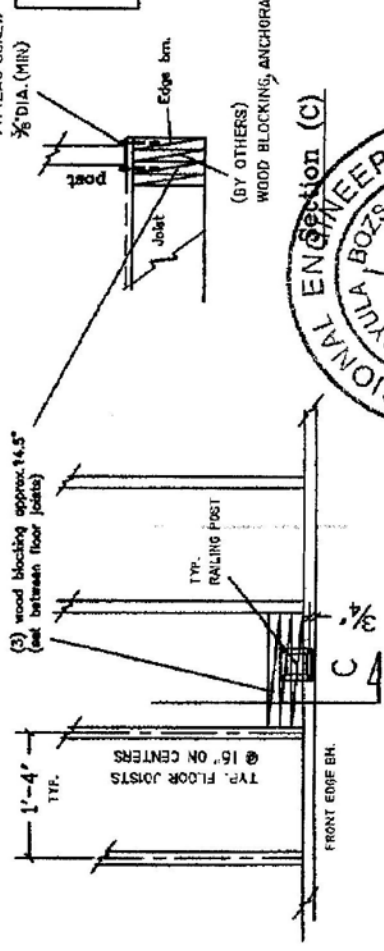


Section (A)



Section (B)

REGAL POST - TOP MOUNT TO DECK BOARD, FLOOR JOISTS PERPENDICULAR TO BLOCKING

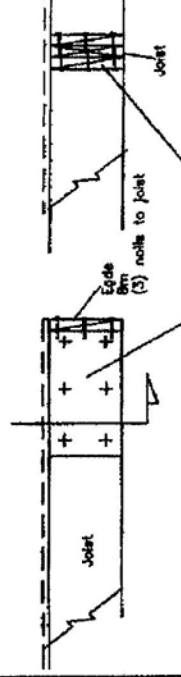


Section (C)

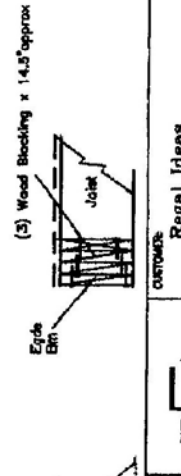
REGAL POST - TOP MOUNT TO DECK BOARD, FLOOR JOISTS PERPENDICULAR TO BLOCKING

TYP. Nailing Diagram for wood blocking:

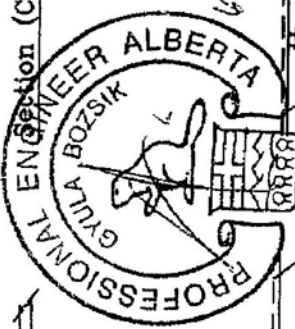
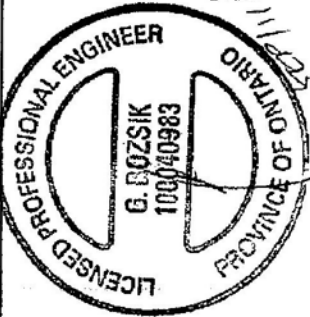
FLOOR JOISTS PARALLEL TO BLOCKING



FLOOR JOISTS PERPENDICULAR TO BLOCKING



TYP. Regal Post c/w base plate: 4x4-3/4" x 4" - (4) holes to suit anchor bolts.
TYP. anchor - 3/8" dia. x 6" L lag screws (4) per post; embedment = 4" min.



BEA

Regal Ideas
Regal Classic Railing
POST ANCHORING DETAIL

DATE: 5/AUG/2014
REV: 3-2258
N.T.S.

CONFIRMATION VOID FOR 5 STMS
G. BOZSIK (with seal 119)