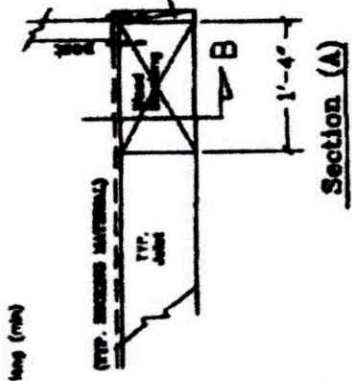
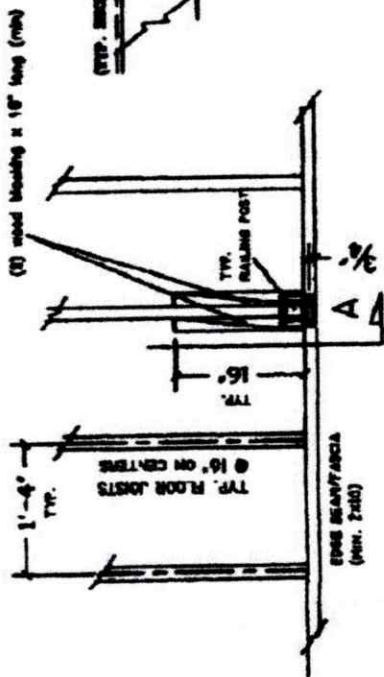
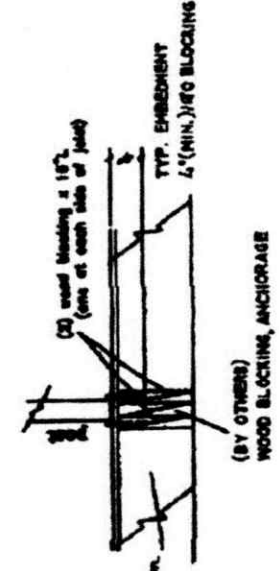


**REGAL POST - TOP MOUNT TO DECK BOARD,
FLOOR JOISTS PARALLEL TO BLOCKING**

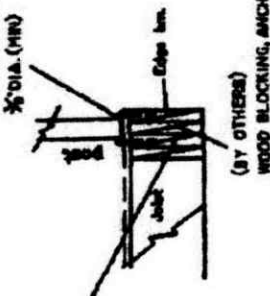
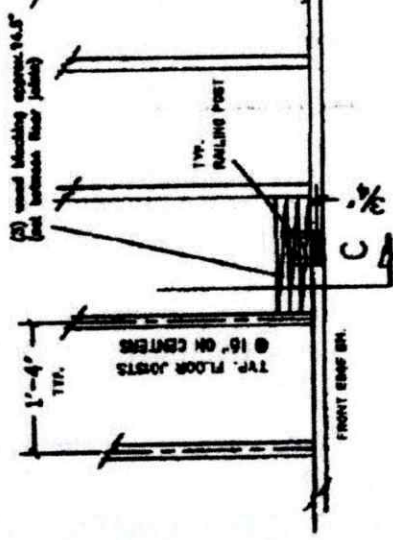


Section (A)



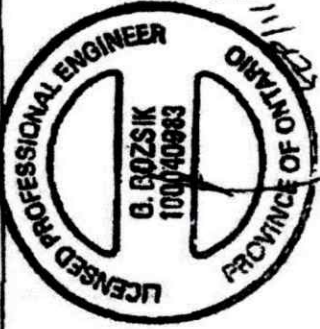
Section (B)

**REGAL POST - TOP MOUNT TO DECK BOARD,
FLOOR JOISTS PERPENDICULAR TO BLOCKING**



Section (C)

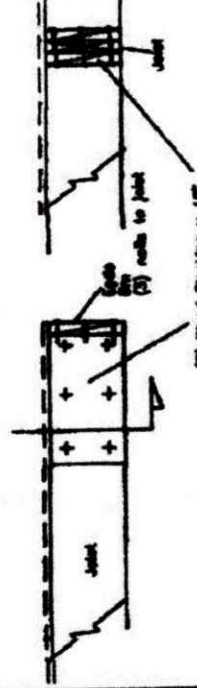
TYP. REGAL POST O/W BASE PLATE 4x4x1/2"
- (4) HOLES TO SUIT ANCHOR BOLTS.
TYP. ANCHOR 3/8" dia. x 4" leg screws
(4) per post; embedment = 4" min.



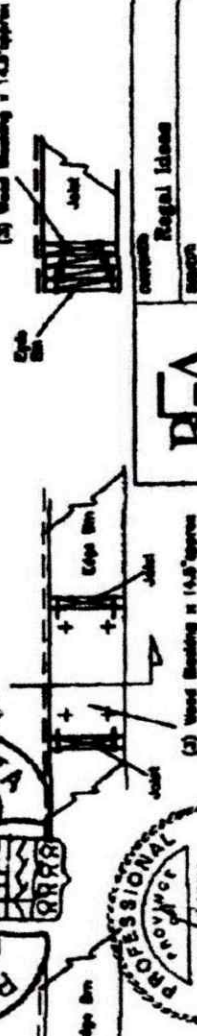
TYP. REGAL POST
1/2" base plate

TYP. NAILING DIAGRAM FOR WOOD BLOCKING:

FLOOR JOISTS PARALLEL TO BLOCKING



FLOOR JOISTS PERPENDICULAR TO BLOCKING



BEA

Regal Ideas

Regal Classic Railing
POST ANCHORING DETAIL

8/10/2014 3-2055 N.T.S.



STRATUM ENGINEERING INC.

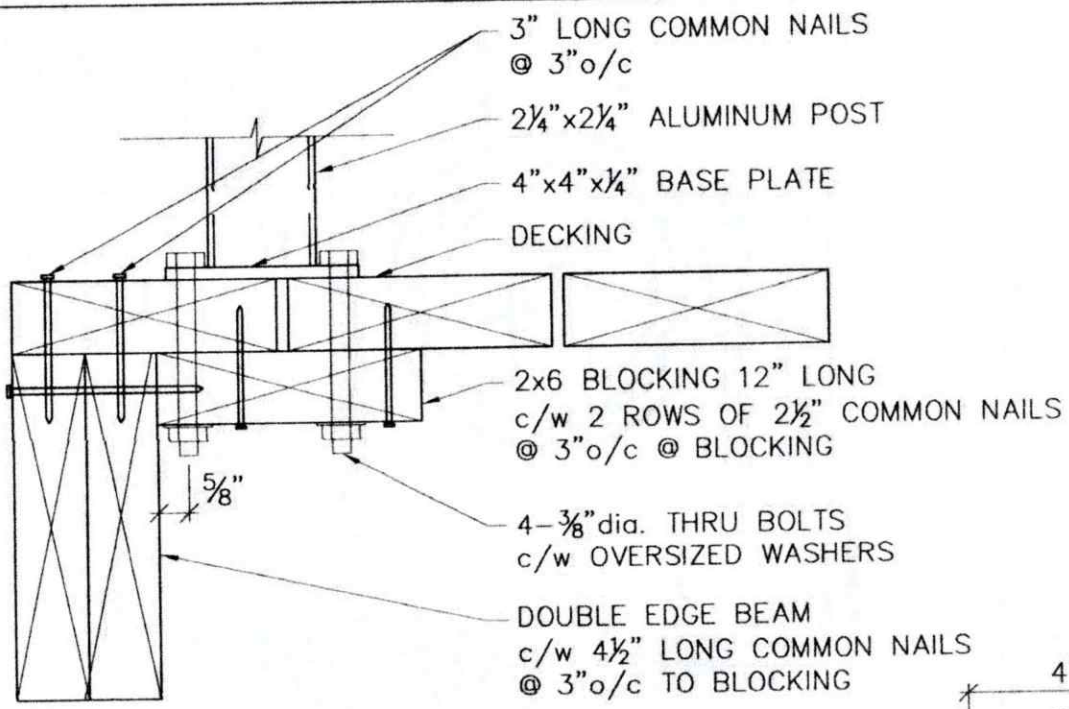
8818 COPPER RIDGE DR.
CHILLIWACK, B.C.
V2R 5V2
604-818-7272
604-702-0218
pierson.stratum@shaw.ca

DATE	JULY 2014
SCALE	NTS
JOB NO	
DRAWN	CRW
CHECKED	JKP
SHEET	SS2 OF SS3

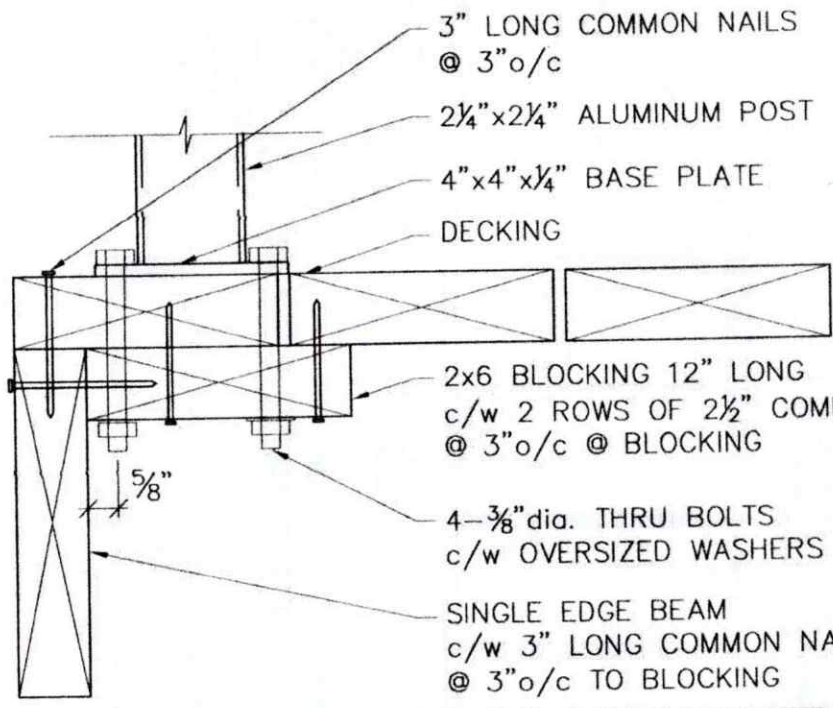
PROJECT:	TYPICAL RESIDENTIAL GUARDRAIL POST ANCHORAGE DETAILS
REGAL ALUMINUM PRODUCTS	

1	14/07/14	ISSUED FOR CONST.
NO:	DATE	ISSUED/REVISIONS

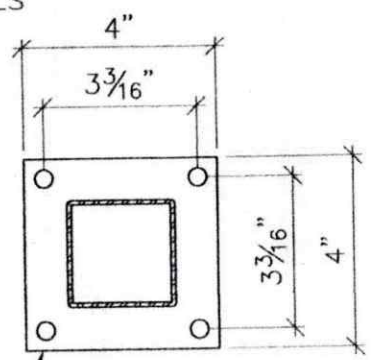
TITLE:	GUARDRAIL POST ANCHORAGE TO WOOD DECK
--------	--



- 3" LONG COMMON NAILS @ 3" o/c
- 2 1/4" x 2 1/4" ALUMINUM POST
- 4" x 4" x 1/4" BASE PLATE
- DECKING
- 2x6 BLOCKING 12" LONG c/w 2 ROWS OF 2 1/2" COMMON NAILS @ 3" o/c @ BLOCKING
- 4- 3/8" dia. THRU BOLTS c/w OVERSIZED WASHERS
- DOUBLE EDGE BEAM c/w 4 1/2" LONG COMMON NAILS @ 3" o/c TO BLOCKING



- 3" LONG COMMON NAILS @ 3" o/c
- 2 1/4" x 2 1/4" ALUMINUM POST
- 4" x 4" x 1/4" BASE PLATE
- DECKING
- 2x6 BLOCKING 12" LONG c/w 2 ROWS OF 2 1/2" COMMON NAILS @ 3" o/c @ BLOCKING
- 4- 3/8" dia. THRU BOLTS c/w OVERSIZED WASHERS
- SINGLE EDGE BEAM c/w 3" LONG COMMON NAILS @ 3" o/c TO BLOCKING



4" x 4" x 1/4" BASE PLATE



SECTIONS THRU WOOD OR COMPOSITE WOOD DECK

- NOTE:
- ALUMINUM POST & BASE PLATE PROPRIETARY & DESIGNED BY OTHERS
 - ALL WOOD MEMBERS TO BE PRESSURE TREATED No.1/No.2 GRADE MINIMUM
 - RESPONSIBILITY FOR BASE STRUCTURE TO SUPPORT GUARDRAIL LOADING BY OTHERS